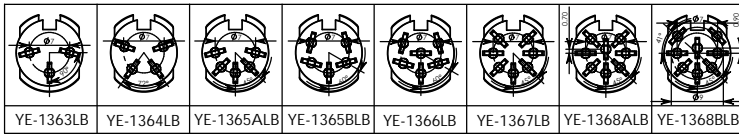
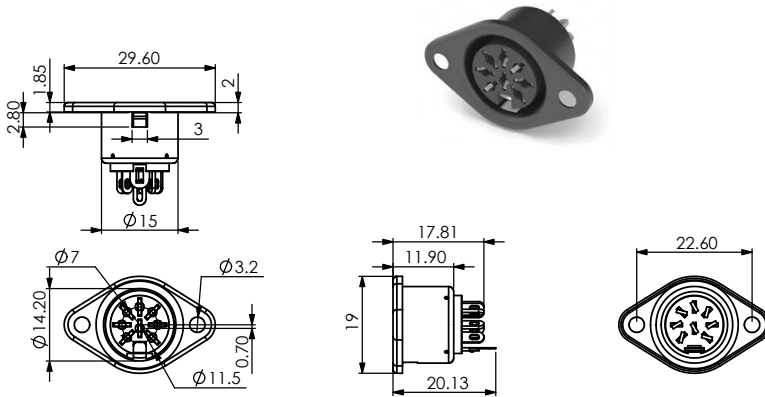


# YE-136XLB DIN SOCKET CHASSIS MOUNT PUSH LOCKING TYPE



## MATERIAL :

1. SHELL COVER : STEEL CHROME PTD.
2. GND CONTACTOR : PHOSPHOR BRONZE NICKEL PTD.
3. HOUSING : ABS
4. TERMINALS : COPPER SILVER PTD.

## SPECIFICATION :

Rating : 100V AC 1A max.

Contact Resistance :

Pins 30mΩ max.

Shell 50mΩ max.

Insulation Resistance :

100MΩ at 500V DC min.

Voltage Withstand :

250V AC for 1 minute



**YE-1363LB**



**YE-1364LB**



**YE-1365ALB**



**YE-1365BLB**



**YE-1366LB**



**YE-1367LB**



**YE-1368ALB**



**YE-1368BLB**